



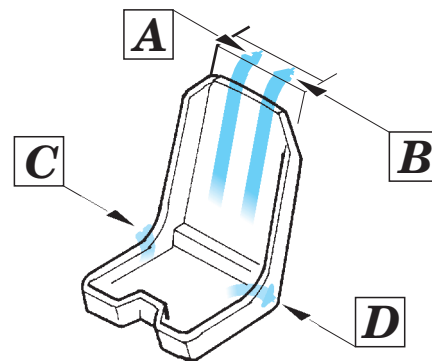
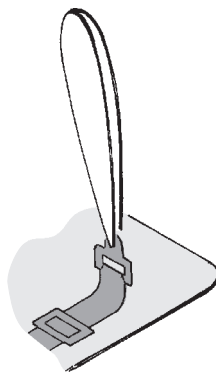
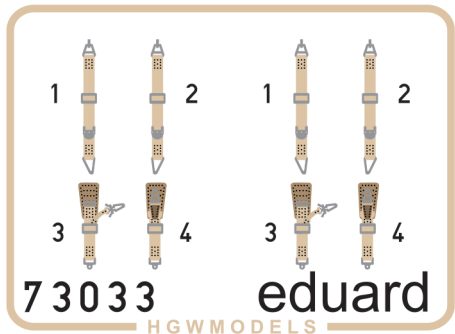
Fw 190A-8 seatbelts SUPERFABRIC

eduard

73 033

1/72 scale detail set • sada detailů pro model 1/72

SF - Superfabric Seatbelts



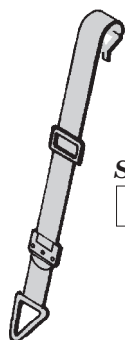
A



SF1



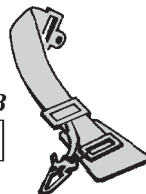
B



SF2



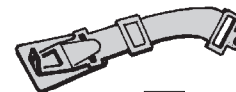
C



SF3



D



SF4



- 1. Remove SF part from the supporting paper using point tweezers.**
- 2. Put the SF part to its place.**
- 3. Fix the part using white glue.**

Note: Do not use CA glue !!!